



### Model Number

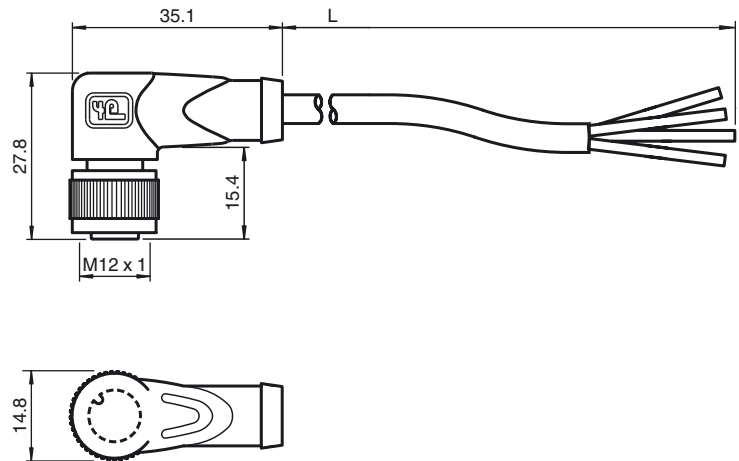
**V1-W-BK1M-PUR-A**

Female cordset, M12, 4-pin, PUR cable

### Features

- Improved resistance to weld slag
- Suitable for drag chains
- Suitable for robotic applications / torsion resistant
- Flame resistant cable
- Halogen-free
- Resistant to microbes and hydrolysis
- Free of paint coating substances
- Immunity to vibration, with mechanical latching
- Knurled nut suitable for tool assembly

### Dimensions



### Technical data

#### General specifications

Number of pins	4
UL File Number	E231213

#### Electrical specifications

Operating voltage	$U_B$	max. 250 V AC/DC
Operating current	$I_B$	max. 4 A
Volume resistance		< 5 m $\Omega$

#### Ambient conditions

Ambient temperature	Body: -40 ... 90 °C (-40 ... 194 °F) cable, fixed: -40 ... 80 °C (-40 ... 176 °F) cable, flexing: -25 ... 80 °C (-13 ... 176 °F)
---------------------	--

#### Mechanical specifications

Contact elements	spring-loaded contact socket
Pin diameter	1 mm
Degree of protection	IP67

#### Material

Contacts	CuSn / Au
Contact surface	Au
Body	TPU, black
Cable	PUR resistant to weld spatter
Slotted nut	Diecast zinc
Core insulation	PP
Cable	extra-fine wire, flexible
Sheath diameter	$\varnothing$ 4.3 mm
Bending radius	> 10 x cable diameter, moving > 5 x cable diameter, fixed
Color	black
Number of cores	4
Core cross-section	0.34 mm <sup>2</sup>
Conductor construction	42 x 0.1 mm $\varnothing$
Length	L 1 m

#### Drag chain suitability

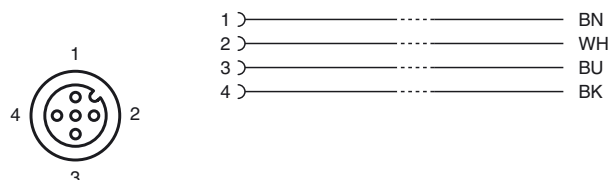
Drag chain cycles	$\geq$ 5000000 (at max. 60 °C)
Motion velocity	$\leq$ 3.3 m/s
Traverse distance	5 m horizontal
Acceleration	$\leq$ 5 m/s <sup>2</sup>
Torsion cycles	$\geq$ 1000000 (at max. 60 °C)
Torsional stress	$\pm$ 180 °/m

#### Flammability

Contact carrier	94 HB
Housing	94 V-2
Cable	FT2

#### Compliance with standards and directives

### Electrical connection





**Standard conformity**

Degree of protection	EN 60529:2000
Standards	IEC 61076-2-101:2008
Flammability	Body: UL 94 Line: UL 1581 Section 1061; IEC 60332-1-2:2004
Halogen-free	IEC 60754-1:1994

**Approvals and certificates**

**UL approval**

- Maximum permissible operating voltage  $\leq 30$  V
- Maximum permissible ambient temperature  $\leq 80$  °C ( $\leq 176$  °F)

Release date: 2016-09-19 15:59 Date of issue: 2016-09-19 239999-100010\_eng.xml